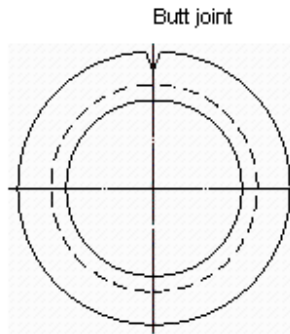
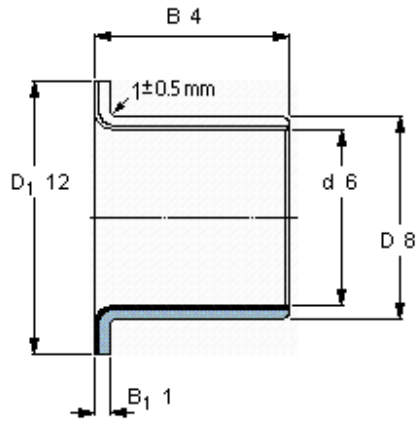


Composite dry sliding bushings, Composite dry sliding flanged bushings

Principal dimensions					Basic load ratings				Mass	Designation
d	D	D1	B	B1	radial dynamic C	static C0	axial dynamic Ca	static C0		
mm					kN				kg	-
6	8	12	4	1	0,965	3	2,75	8,65	0,0013	PCMF 060804 E



**Specific load factor**  
**Material constant**

K 80  
K<sub>M</sub> 480